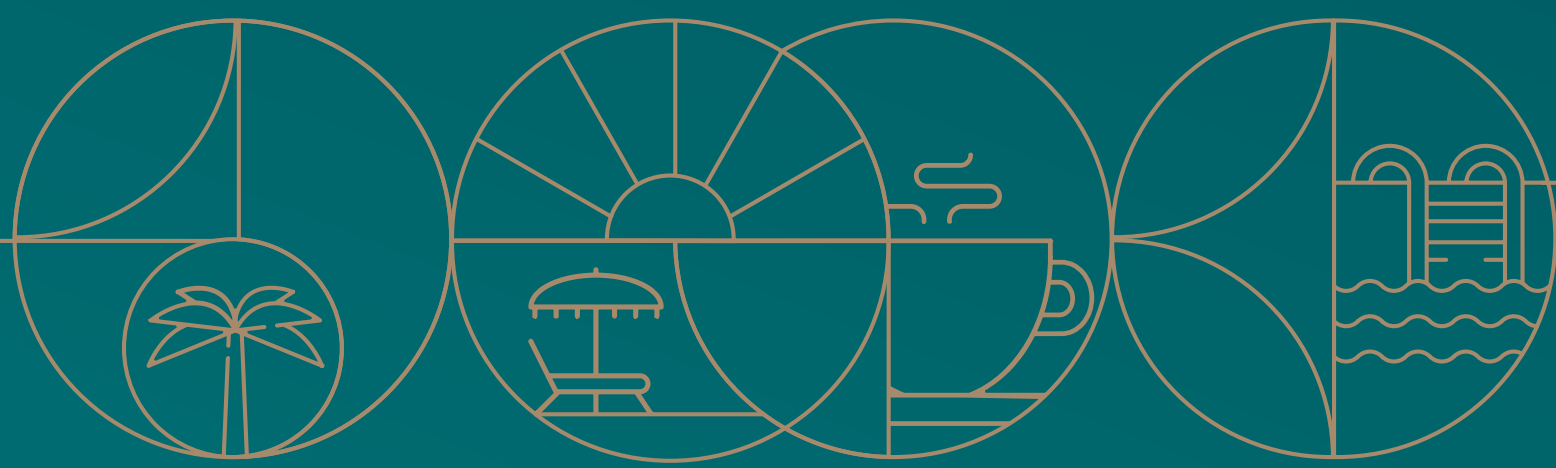


# IMPERIAL INDRAPURAM



LIVE A GREEN CARPET LIFE

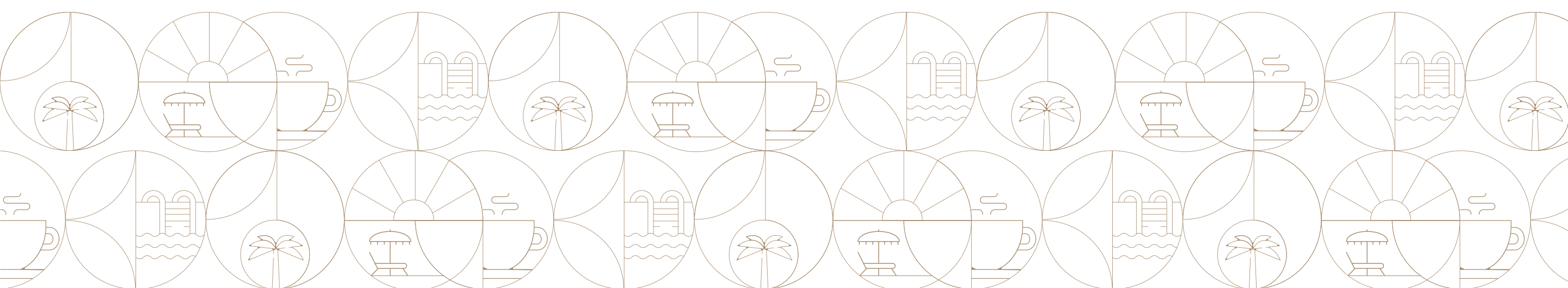


LIVE LIKE YOU'RE ON  
**VACATION EVERY DAY**

Spread across 2.5 acres, the project is designed to give you space, openness, and greenery—something truly rare in urban living. Imperial Indrapuram features world-class amenities inspired by luxury resorts, thoughtfully curated for all age groups.

G + 20 FLOORS | 5 ELEGANT RESIDENTIAL WINGS | SPACIOUS 1, 2 & 3 BHK RESIDENCES | LANDSCAPED OPEN AREAS  
WIDE INTERNAL PATHWAYS | BALANCED BUILT-UP AND GREEN SPACES | COMMERCIAL PLAZA

IMPERIAL  
**INDRAPURAM**





## IMPERIAL LIFESTYLE

*Where your family is our family!*

### INTEGRITY. PASSION. PRIDE...

Established in 1999 by the name of Shree Ganesh Builders, IMPERIAL LIFESTYLE was launched, in 2010, with a vision of providing state of the art amenities to their consumers. After ruling in the low budget and moderate sector for more than a decade, stepping into the next level was a prerequisite. With a rise in the standard of living, there came a demand for quality in construction and development in infrastructure in the Vasai-Virar region.

IMPERIAL LIFESTYLE was launched keeping in mind the needs of this scenario. By coming up with premium amenities, focusing on improved security amenities, providing ambient interiors and exteriors, providing Roman & Modern elevations, and doing so at really affordable prices, IMPERIAL LIFESTYLE has revolutionized construction in the Vasai-Virar region.



BUILDING  
DREAMS  
**SINCE  
1999**



PIONEER  
REALTORS IN  
**VASAI -  
BOISAR**



HOMES  
STARTING FROM  
**20 LAKHS -  
2 CRORE +**



UNDER  
CONSTRUCTION  
**5 MILLION +  
SQ.FT.**



**5000 +  
HAPPY  
CUSTOMERS**



SUCCESSFULLY  
CONSTRUCTED  
**3.5 MILLION  
SQ.FT.**

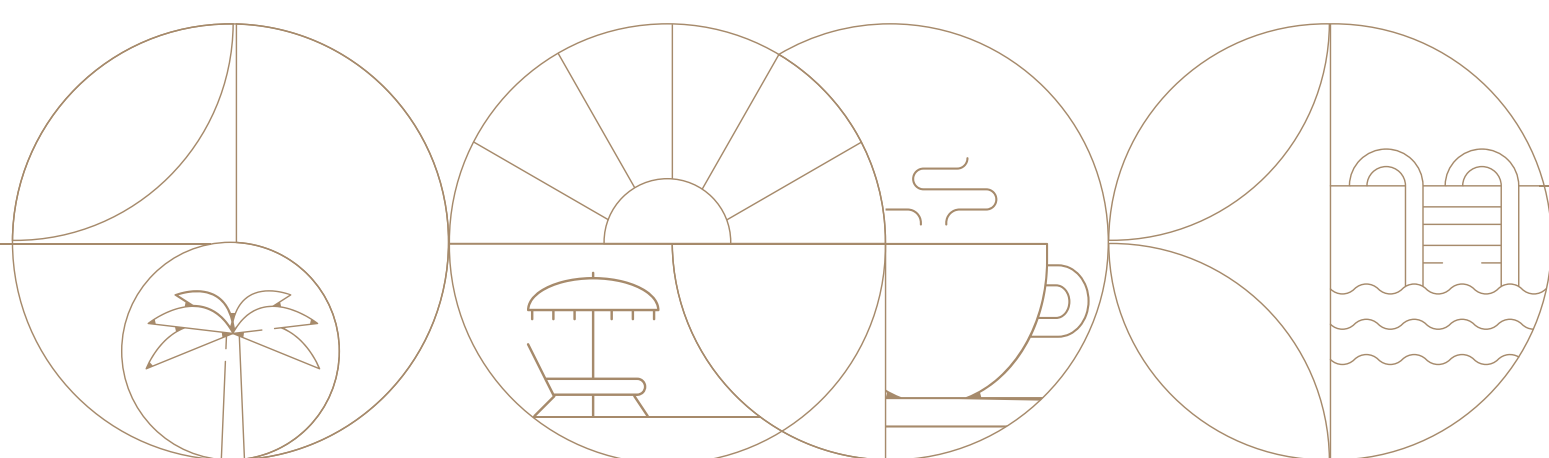


WHERE  
**Entertainment**  
NEVER *Checks-out*

Unplug and unwind indoors with a dedicated toddlers soft play area and games zone designed for family fun, friendly competition, and relaxed leisure-rain or shine.



IMPERIAL  
**INDRAPURAM**






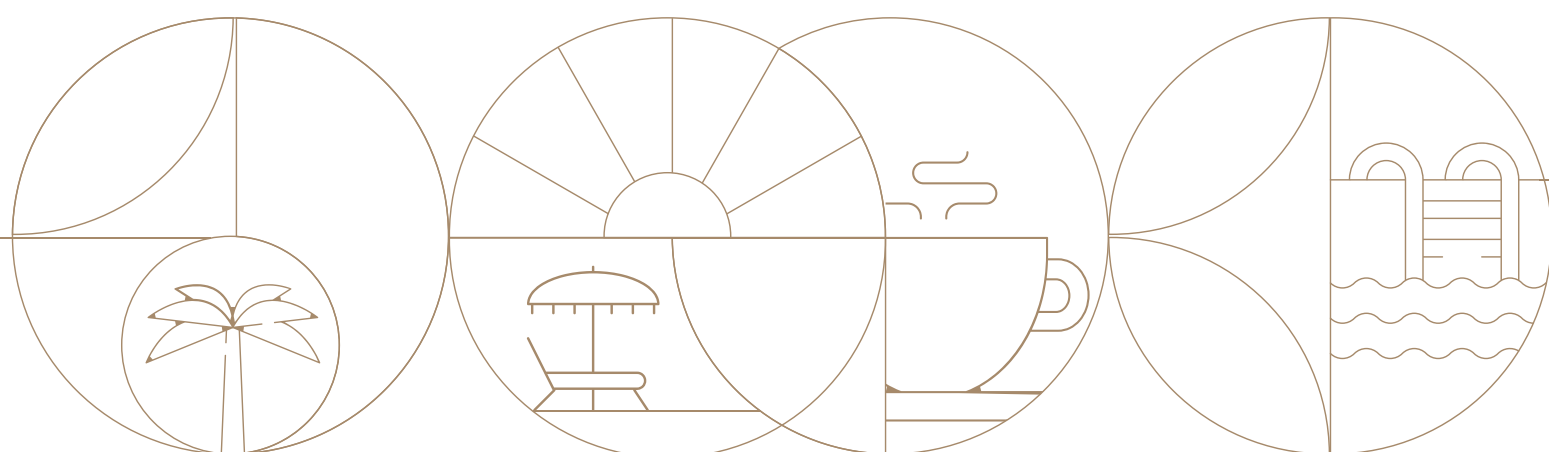
WHERE  
**Silence** FEELS  
*Luxurious*

A peaceful and thoughtfully designed spaces that blend focus with comfort Perfect for modern professionals who want balance, not burnout and for students who can learn and reflect n complete tranquility far from everyday noise.

SHARED  
WORKSTATION  
& STUDY  
ROOM



IMPERIAL  
**INDRAPURAM**





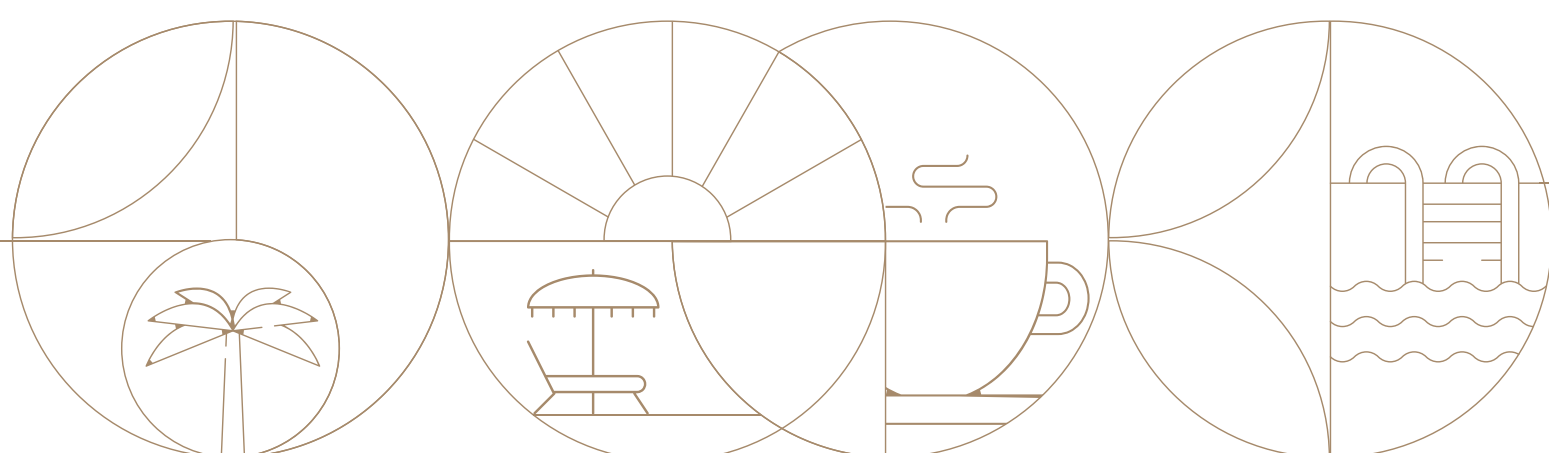
WHERE  
**Relaxation**  
HAS NO *Edge*

Dive into pure leisure at the infinity swimming pool designed to mirror the calm of a luxury resort. Whether it's an early morning swim or an evening unwind, this is your everyday escape into serenity.



INFINITY  
SWIMMING  
POOL

IMPERIAL  
**INDRAPURAM**





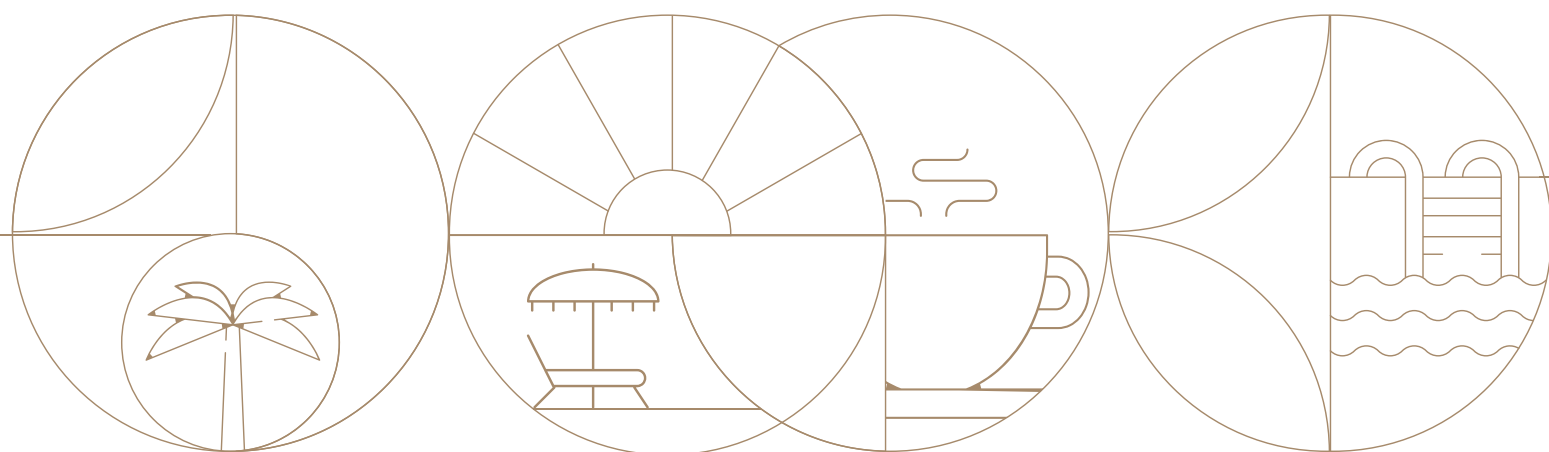
WHERE  
**Holidays**  
BEGIN *Young*

A vibrant, safe and engaging play zone where children can laugh, explore, and grow.  
Designed to keep young minds active while parents enjoy complete peace of mind.



KIDS PLAY  
AREA

IMPERIAL  
**INDRAPURAM**



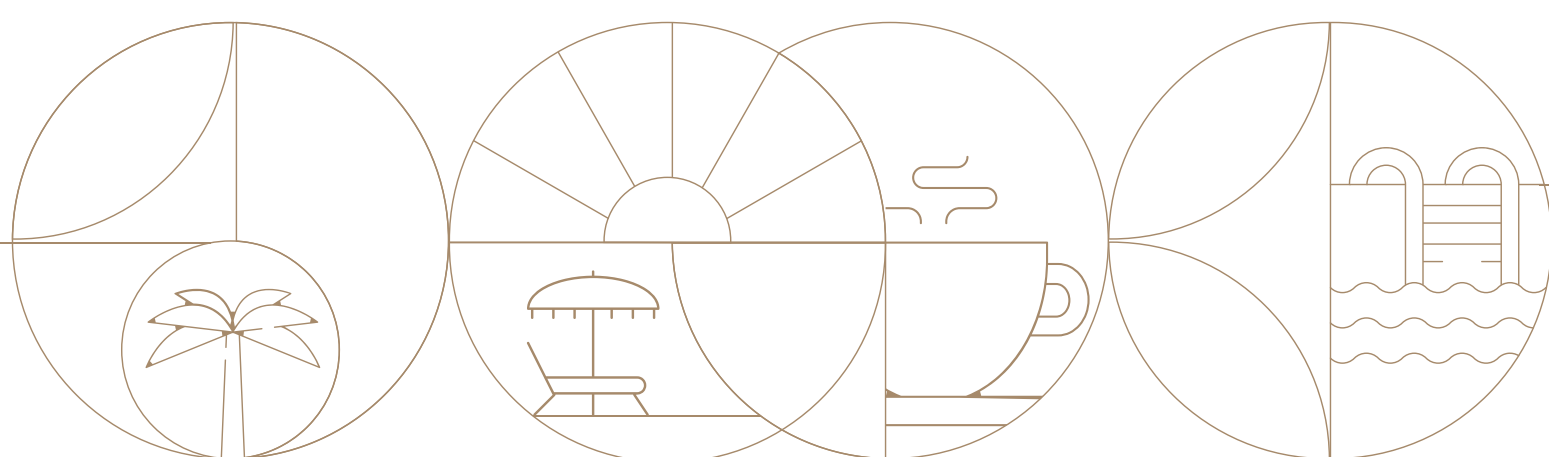
WHERE  
**Energy**  
MEETS *Escape*

From friendly matches to daily fitness routines, the multi-sport turf is built for energy, enthusiasm, and everyday recreation - because an active lifestyle is part of resort living.

MULTI-SPORT  
TURF



IMPERIAL  
**INDRAPURAM**

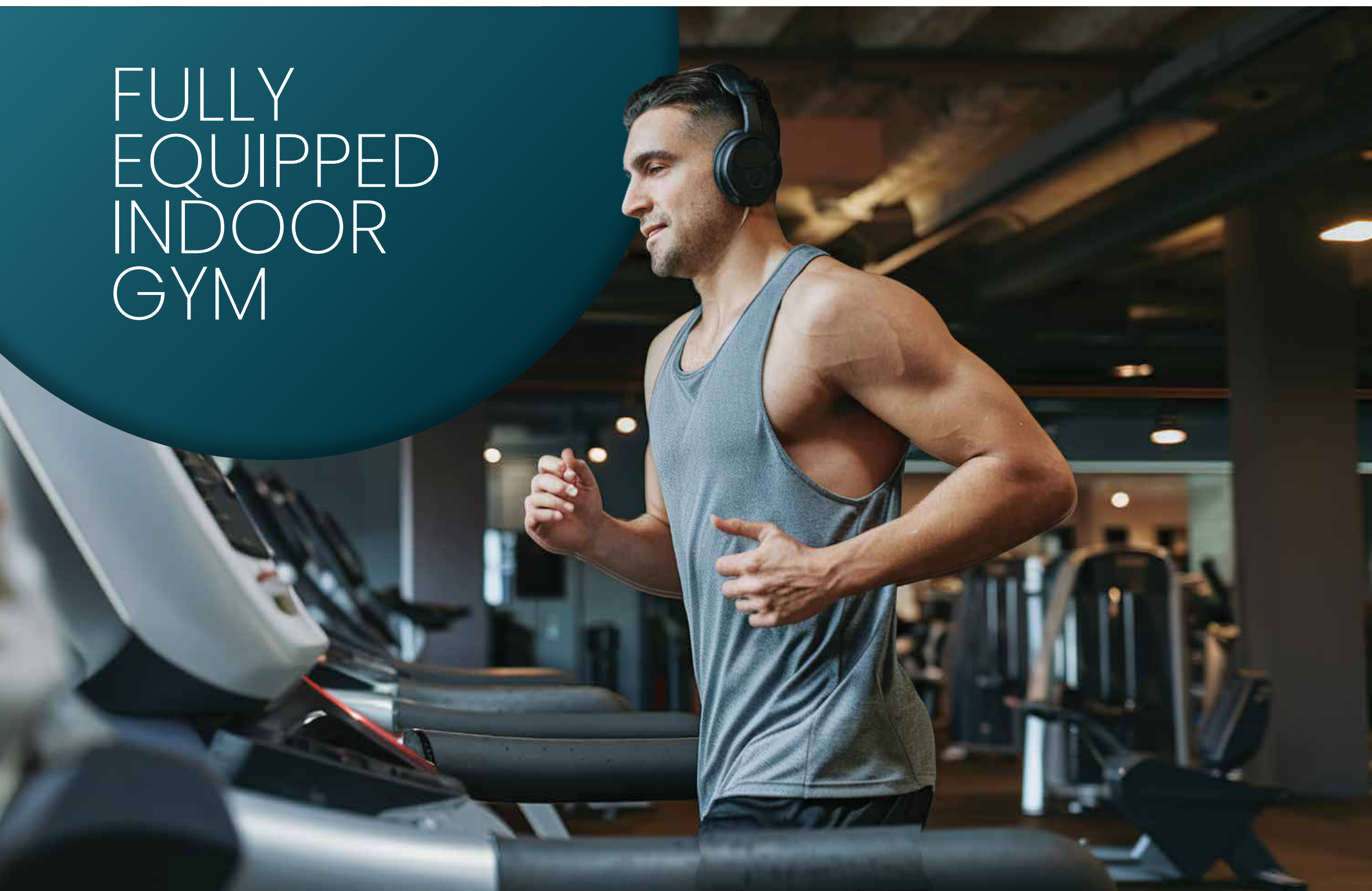




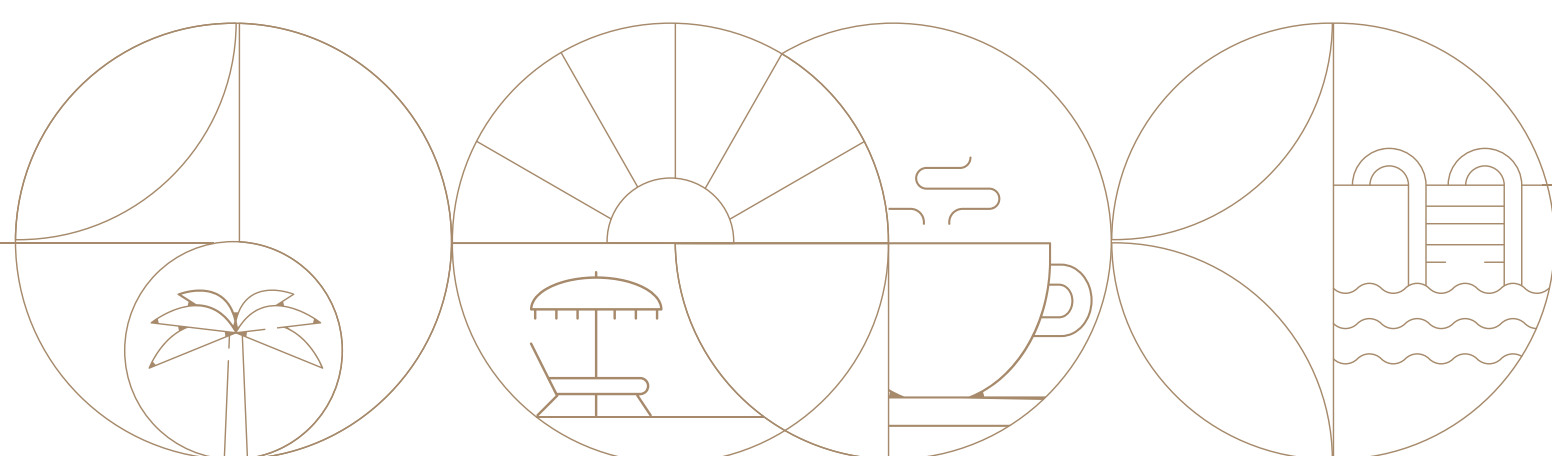
WHERE  
**Fitness**  
FITS YOUR *Lifestyle*

Stay committed to your health with a modern indoor gym featuring quality equipment and a motivating environment - no travel, no excuses, just results.

FULLY  
EQUIPPED  
INDOOR  
GYM



IMPERIAL  
**INDRAPURAM**



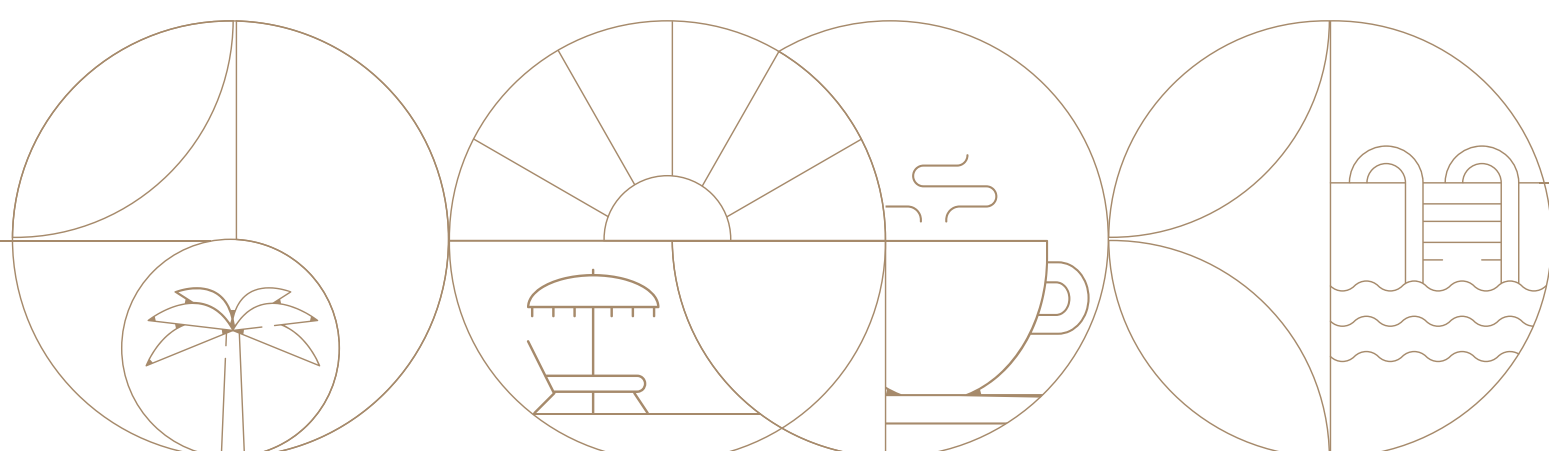


WHERE  
**Evening**  
FEELS LIKE *Vacations*

Quiet corners and landscaped spaces thoughtfully created for relaxation - perfect for seniors to relax, socialize, and enjoy nature because comfort and peace matter at every stage of life.



IMPERIAL  
**INDRAPURAM**





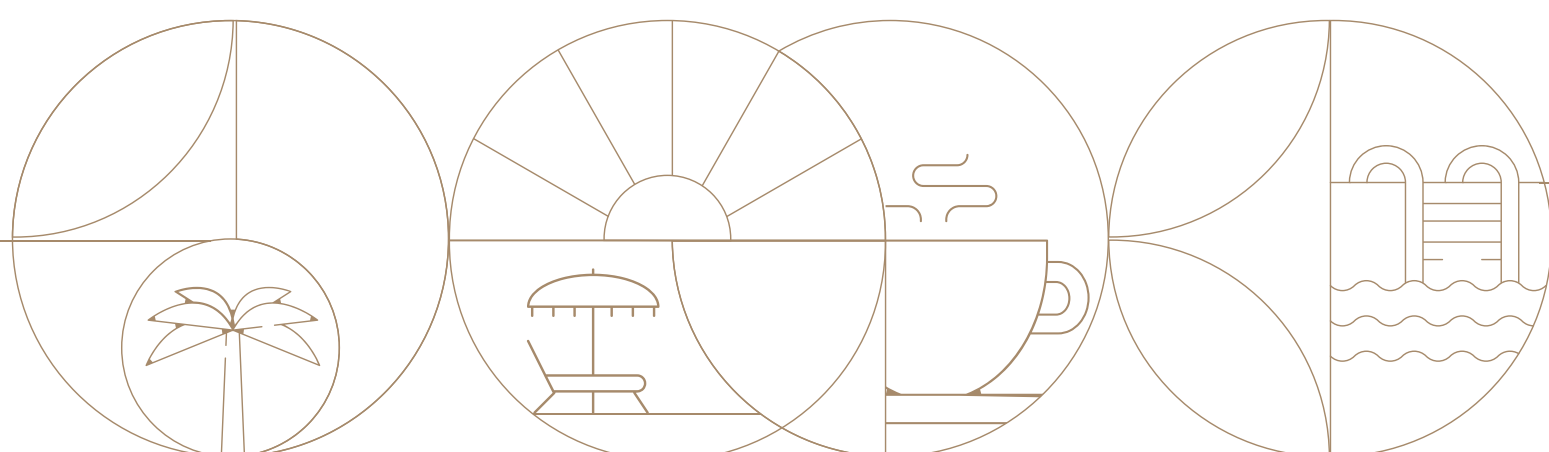
WHERE  
**Hospitality**  
FEELS  
RIGHT AT *Home*

Give your guests the comfort they deserve with dedicated guestroom facilities - ensuring privacy, convenience, and a warm welcome for every visit.



GUESTROOM  
SERVICE

IMPERIAL  
**INDRAPURAM**



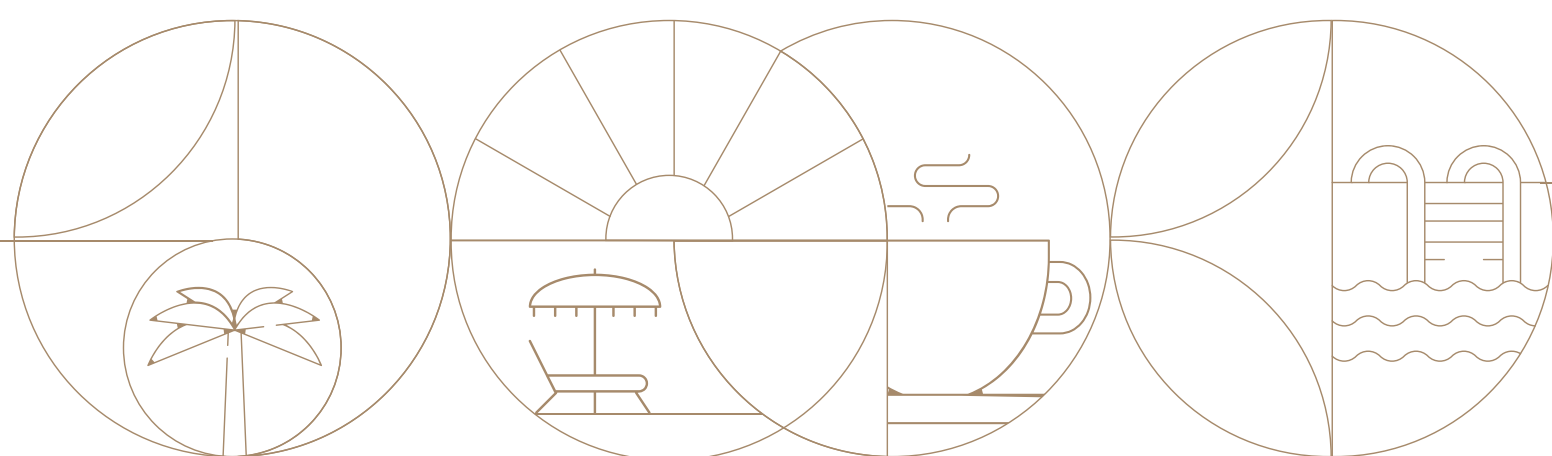
WHERE  
**Every Step**  
FEELS  
LIKE A *Getaway*

Set amidst greenery and open skies, the jogging track invites you to walk, jog, or unwind at your own pace—turning daily movement into a refreshing resort ritual.

JOGGING  
TRACK



IMPERIAL  
**INDRAPURAM**





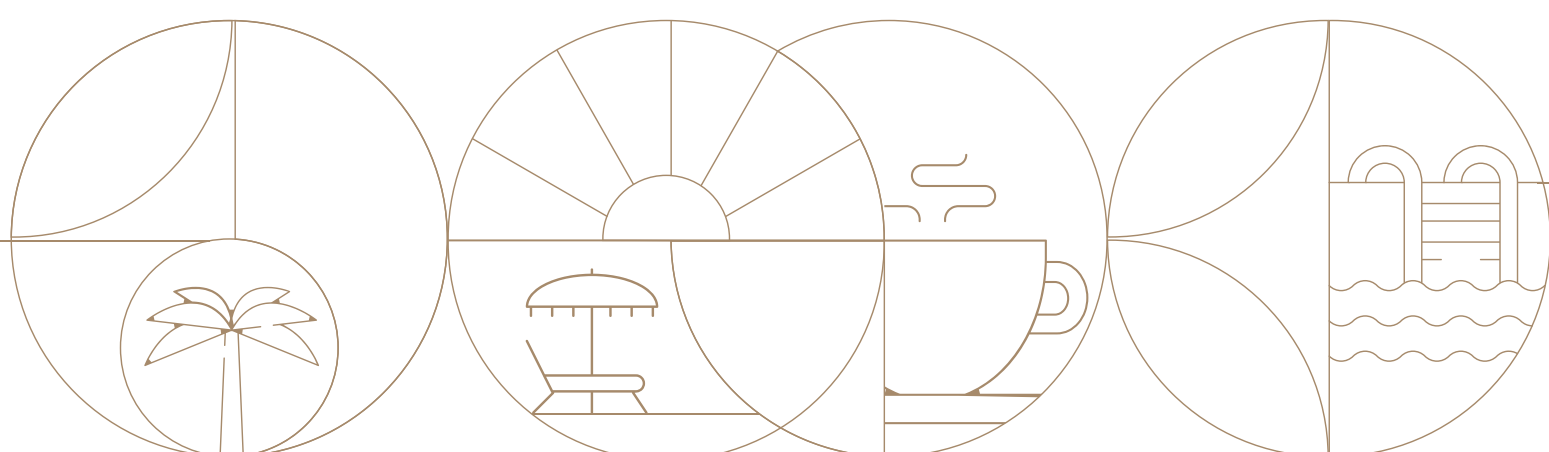
WHERE  
**Calm** BECOMES  
A DAILY *Ritual*

A serene sanctuary designed for balance and mindfulness. Whether it's morning yoga or quiet meditation, this peaceful space helps you reconnect with yourself and embrace the calm of resort living.



YOGA &  
MEDITATION  
ROOM

IMPERIAL  
**INDRAPURAM**

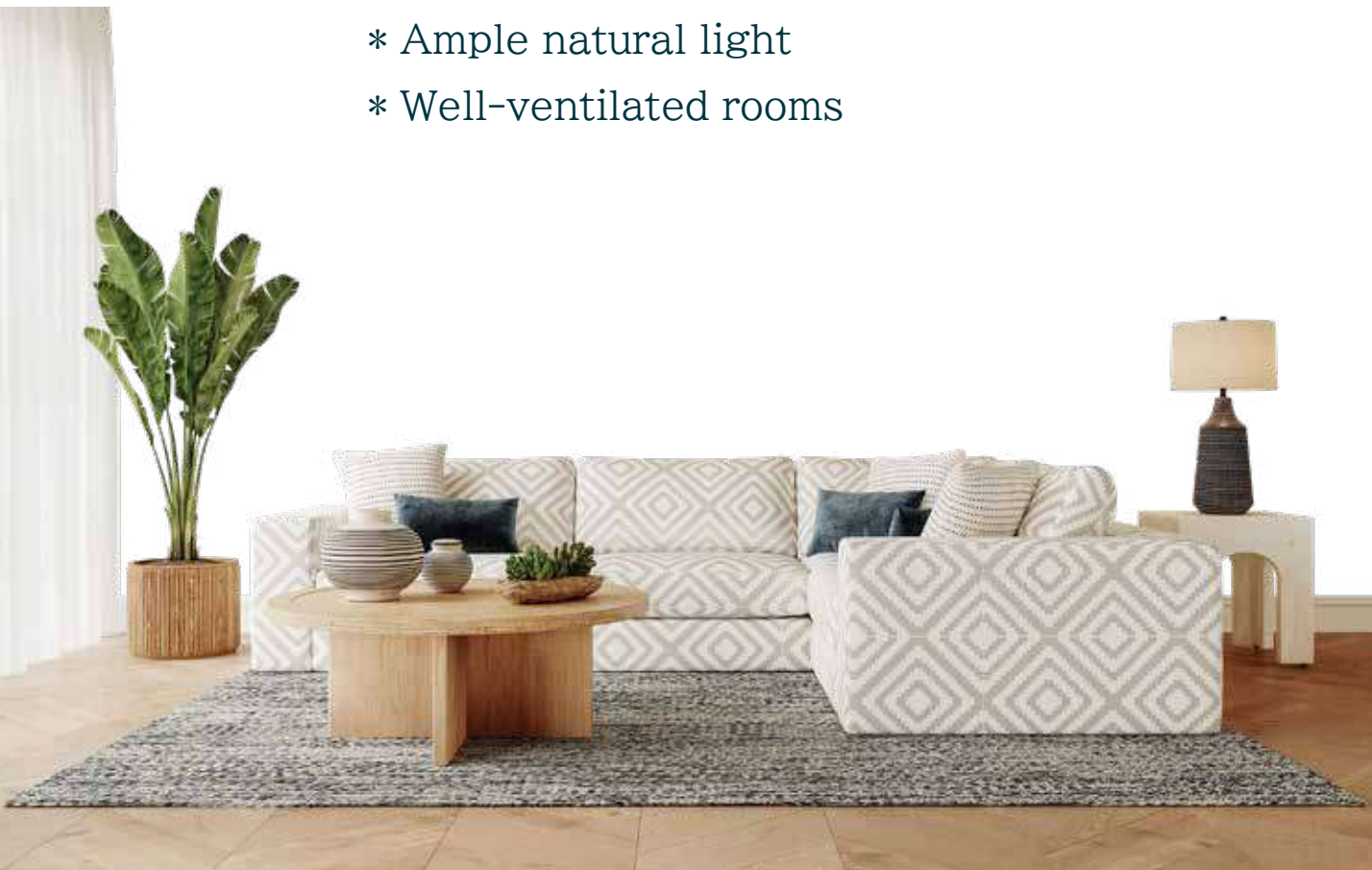




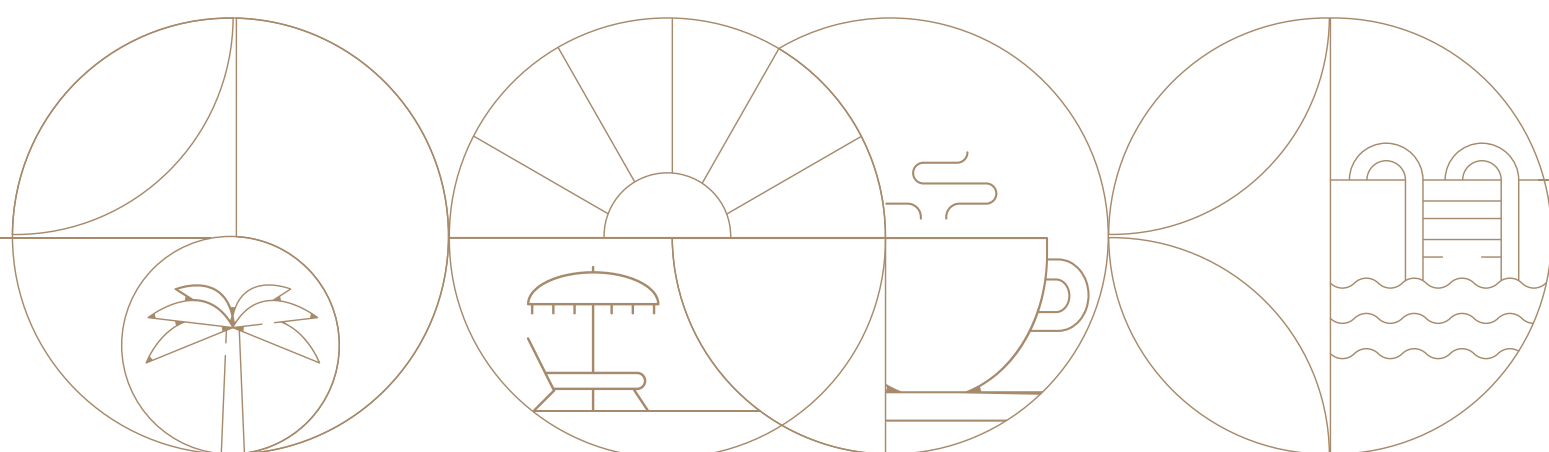
# WHERE Comfort MEETS *Elegance*

Homes at Imperial Indrapuram are designed with practical layouts and refined finishes, offering a perfect blend of style and functionality.

- \* Efficient space planning
- \* Peaceful indoor ambiance
- \* Ample natural light
- \* Well-ventilated rooms



IMPERIAL  
INDRAPURAM



# LIVING ROOM

• POP False Ceiling

• Vitrified Flooring Tiles

• Main Door & Safety Door with Laminate & Heavy Brass Fittings

• Branded Plastic paint on Internal Wall

• Powder Coated Aluminium Sliding Glass Window

• Branded Switch-Boards

• Granite Window Sills

• Anti skid Tiles in Balcony

## ELECTRICAL POINTS

(Modular Switches with Concealed Wiring)

PARTICULARS	QUANTITY
Tubelight	2
Fan	2
Chandelier	1
Spot light	3

PARTICULARS	QUANTITY
Television	1
Air Conditioner	1
Balcony Light	1

**NOTE:** Electrical Points only. No Electrical Appliances shall be provided.



# BEDROOM

• POP False Ceiling

• Vitrified Finish Flooring Tiles

• Bedroom Door with Laminate & Heavy Brass Fittings

• Branded Plastic paint on Internal Wall

• Powder Coated Aluminium Sliding Glass Window

• Branded Switch-Boards

• Granite Window Sills

• Anti skid Tiles in Balcony

## ELECTRICAL POINTS

(Modular Switches with Concealed Wiring)

PARTICULARS	QUANTITY
Tubelight	1
Fan	1
Balcony Light	1

PARTICULARS	QUANTITY
Television	1
Air Conditioner	1
Spot Light	2

**NOTE:** Electrical Points only. No Electrical Appliances shall be provided.



# KITCHEN

• Modular Kitchen with Stainless Steel Trolleys, Shutters & Basket

• Glazed Tiles on Walls

• Granite Window Sills

• Granite Platform with Stainless Steel Sink

• Branded Plastic paint on Internal Wall

• Powder Coated Aluminium Sliding Glass Window

• Branded Switch-Boards

## PLUMBING POINTS:

PARTICULARS	QUANTITY
Aquaguard	1

## ELECTRICAL POINTS

(Modular Switches with Concealed Wiring)

PARTICULARS	QUANTITY
Refrigerator	1
Mixer	1
Fan	1
Microwave	1

PARTICULARS	QUANTITY
Tubelight	1
Washing Machine	1
Exhaust Fan	1

**NOTE:** Electrical Points only. No Electrical Appliances shall be provided.



# BATHROOM

• Concealed Plumbing Fittings

• Granite Door Frame

• Wooden Door with Laminate

• Granite Window Sills with Louvers

• Branded Sanitary ware & Plumbing Fittings

• Overhead Water Tank in Bathroom Loft

• Inverter Point in Bathroom Loft

• Glazed Tiles on Walls

## ELECTRICAL POINTS

(Modular Switches with Concealed Wiring)

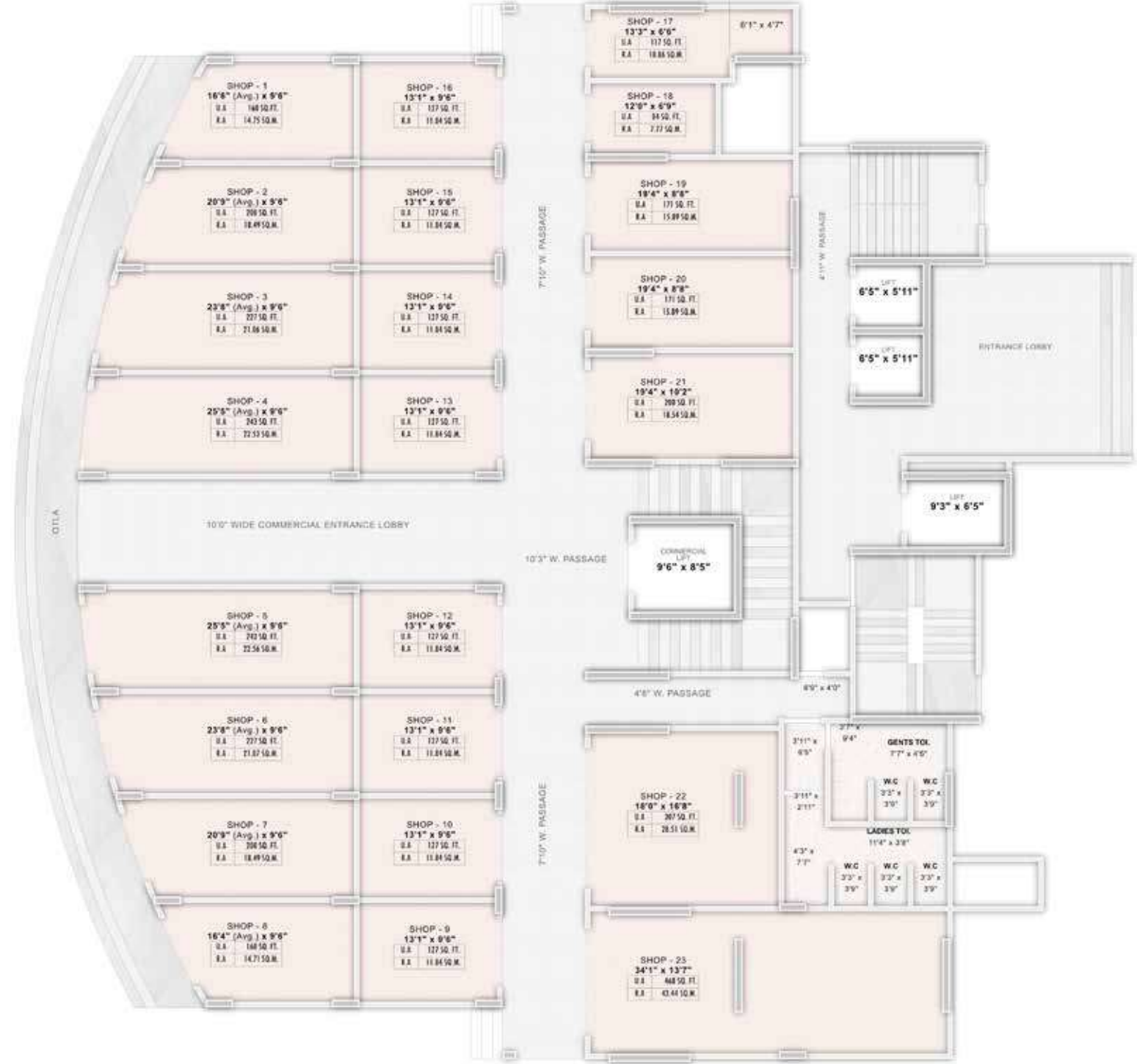
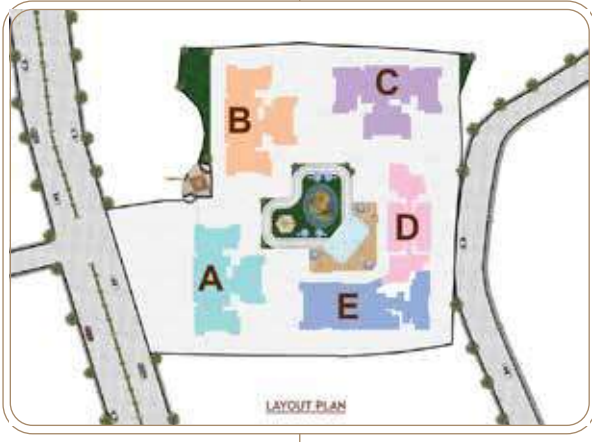
PARTICULARS	QUANTITY
Exhaust Fan	1
Tubelight	1
Geyser	1

## PLUMBING POINTS:

PARTICULARS	QUANTITY
Mixer	1
Geyser	1

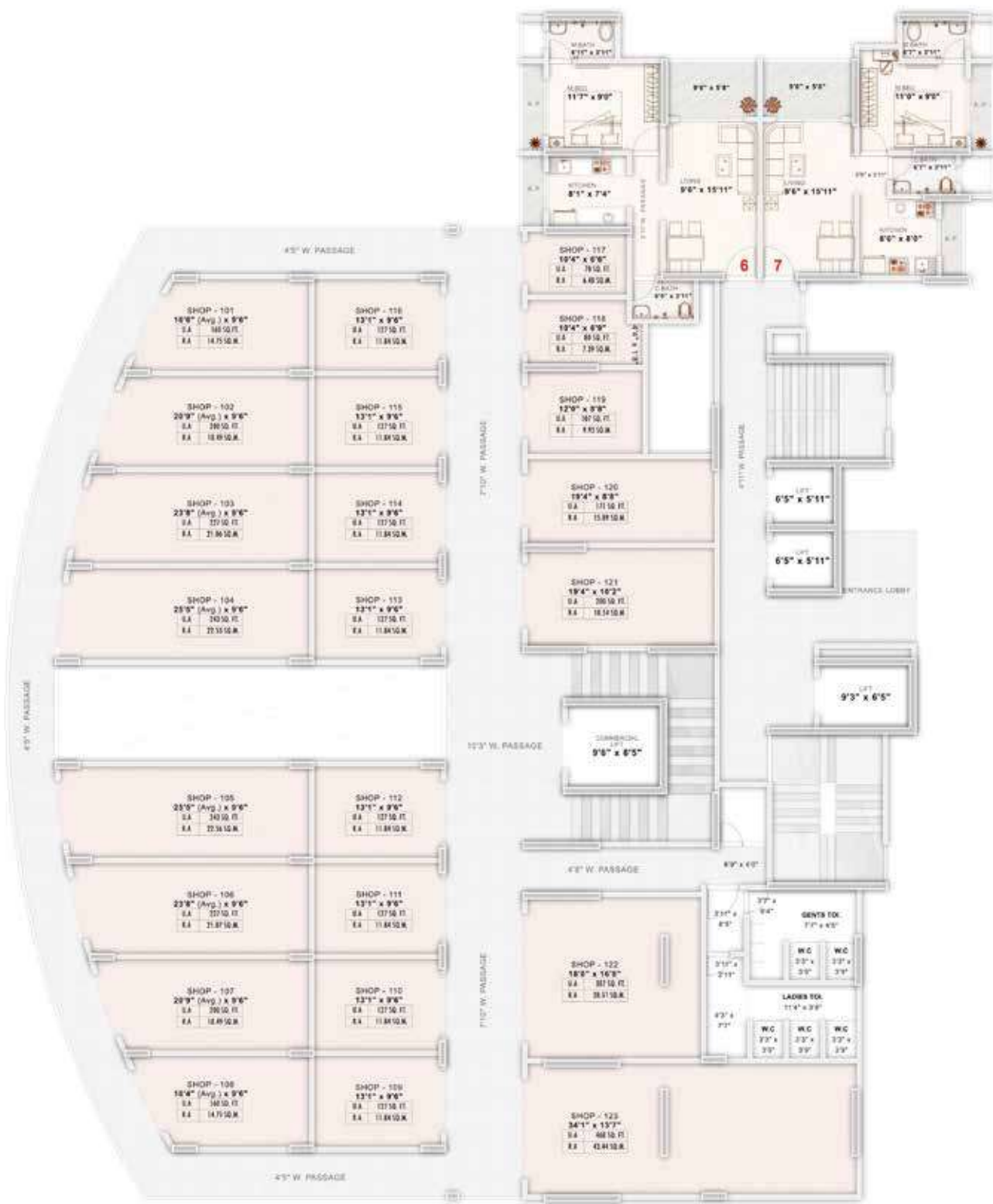
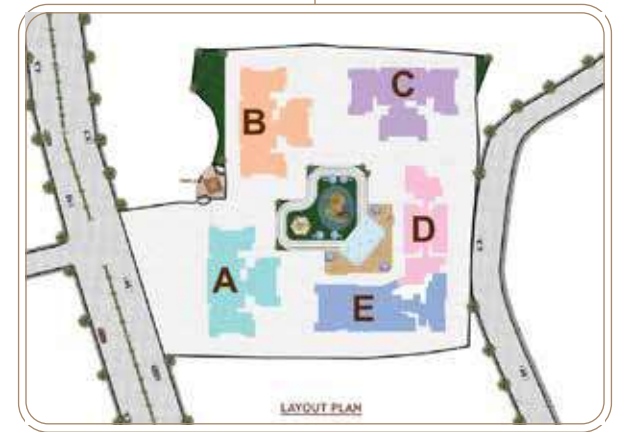
**NOTE:** Electrical Points only. No Electrical Appliances shall be provided.





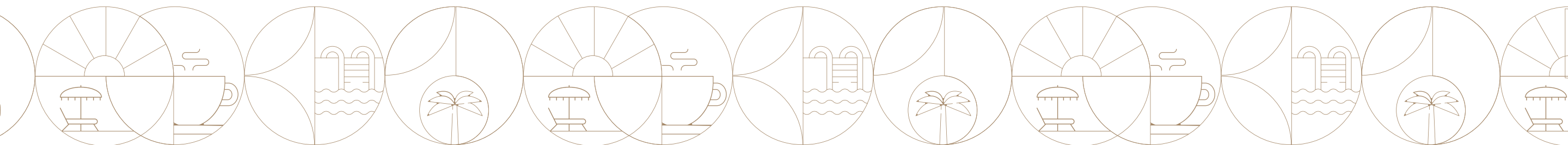
# IMPERIAL INDRAPURAM

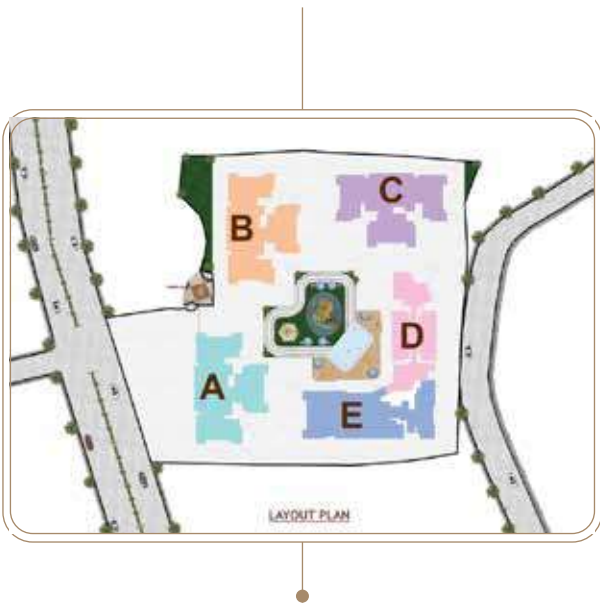
A - WING GROUND FLOOR



# IMPERIAL INDRAPURAM

A - WING 1ST FLOOR





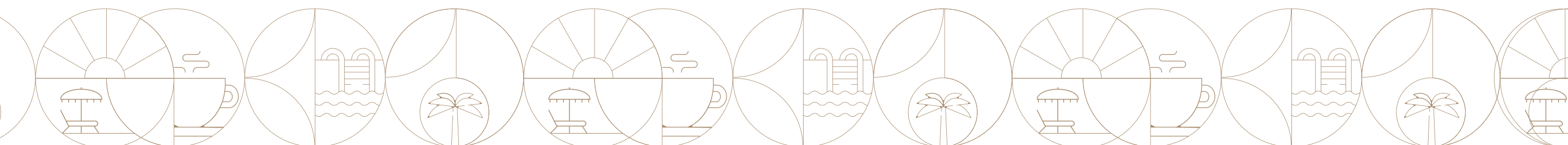
# IMPERIAL INDRAPURAM

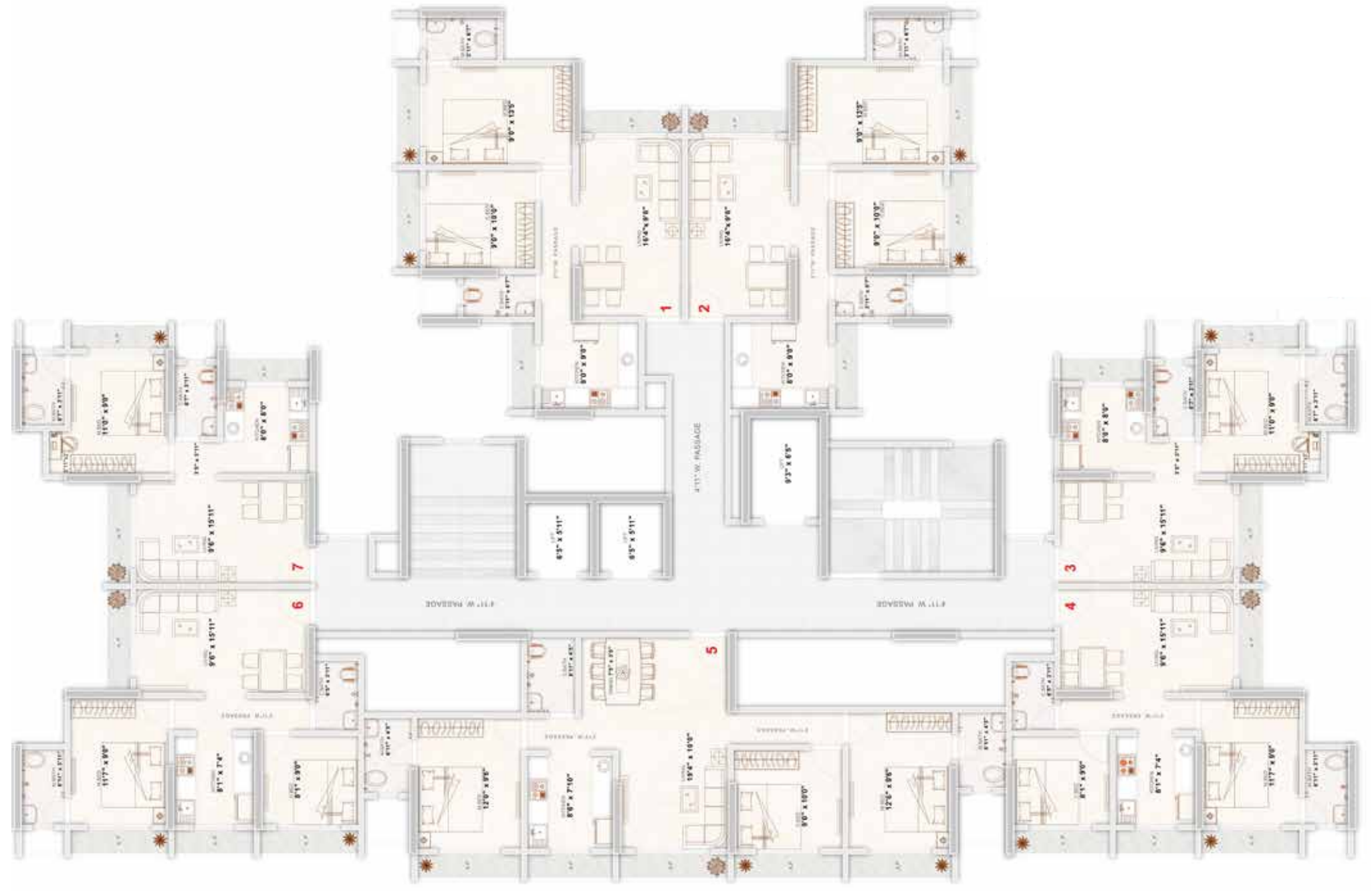
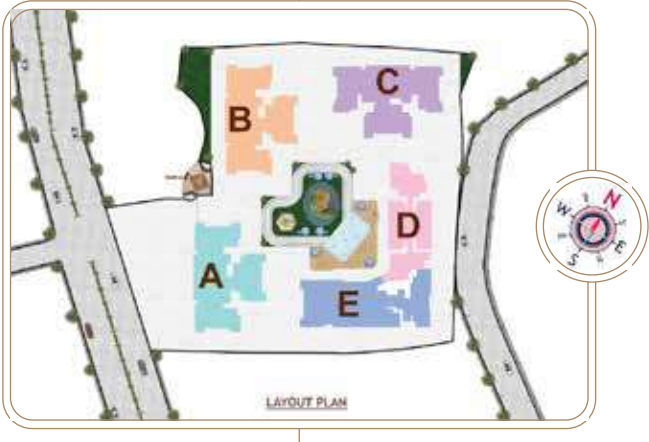
A - WING 2ND FLOOR



# IMPERIAL INDRAPURAM

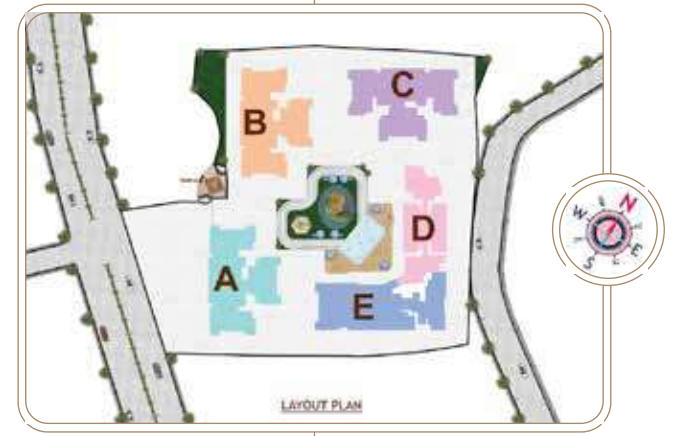
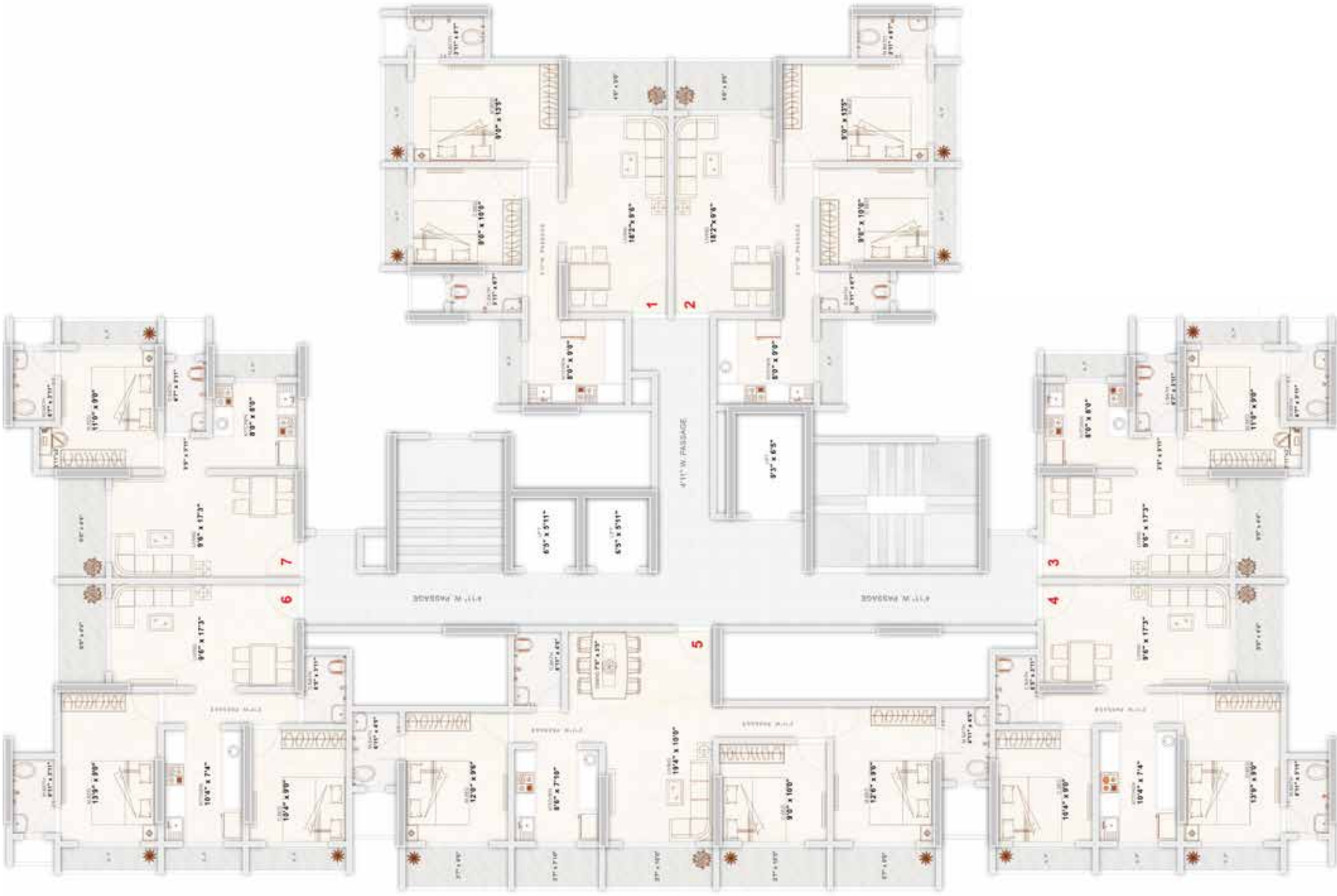
A - WING 3RD FLOOR





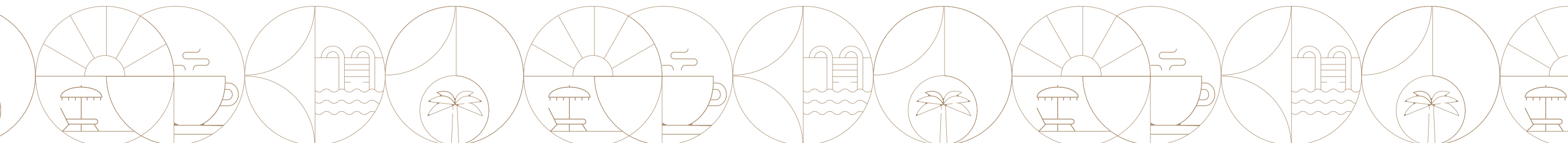
# IMPERIAL INDRAPURAM

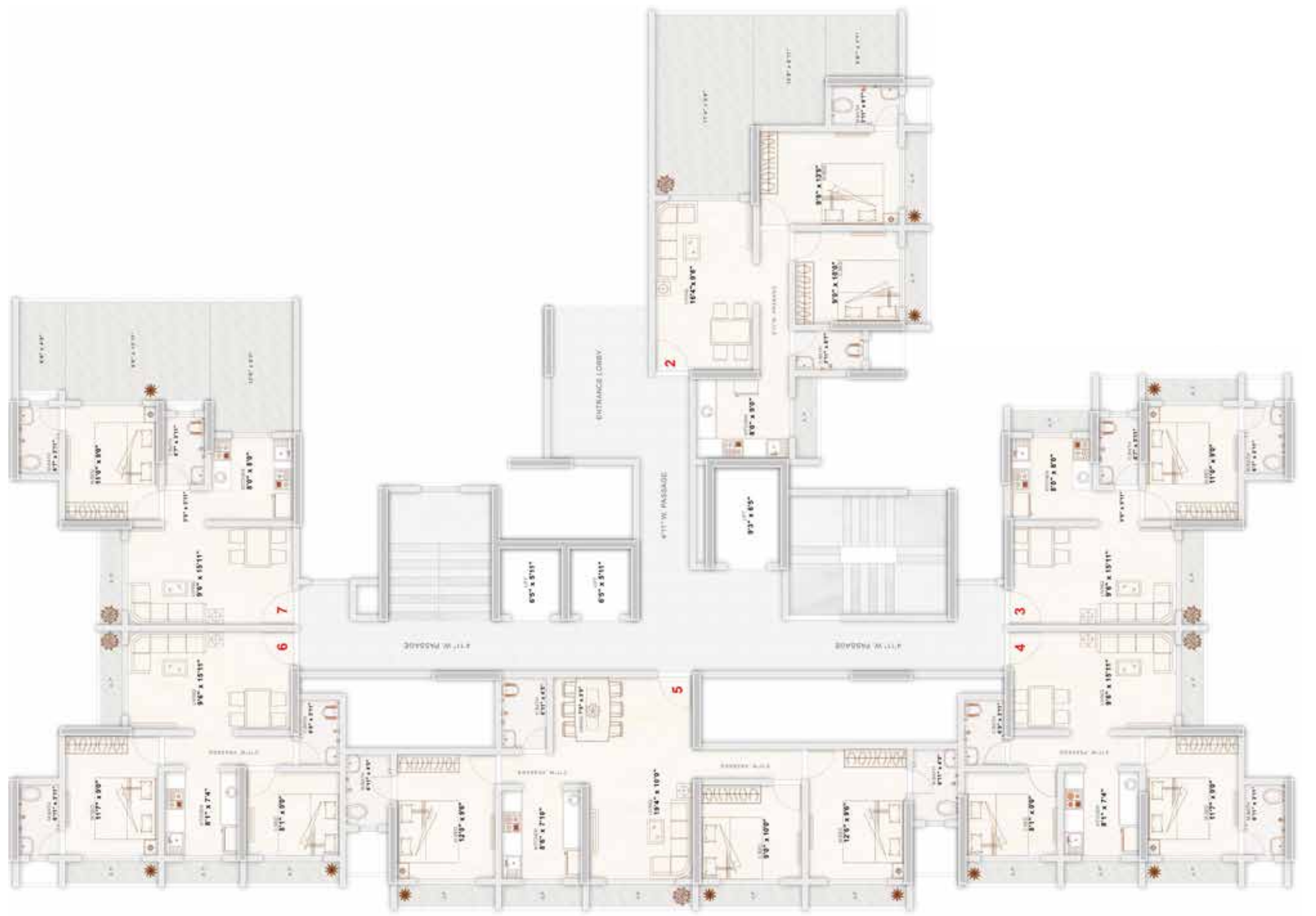
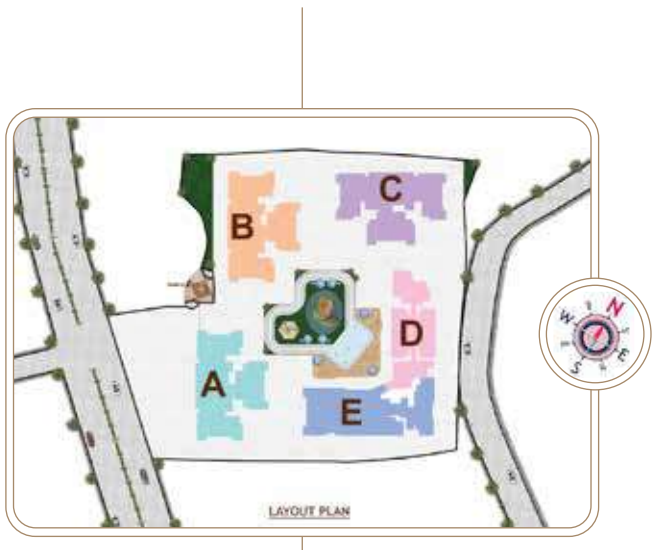
A - WING 12TH FLOOR



# IMPERIAL INDRAPURAM

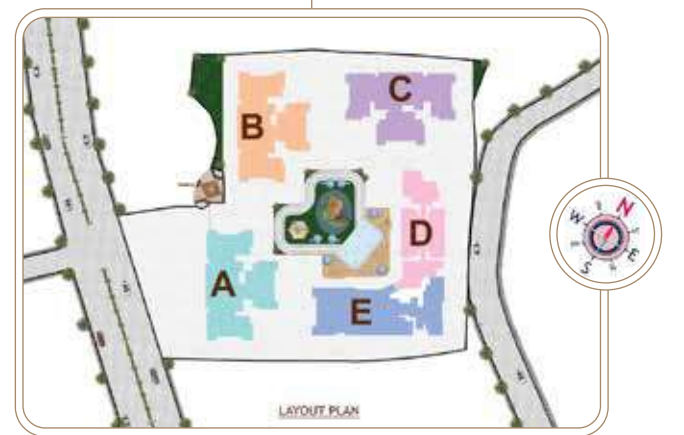
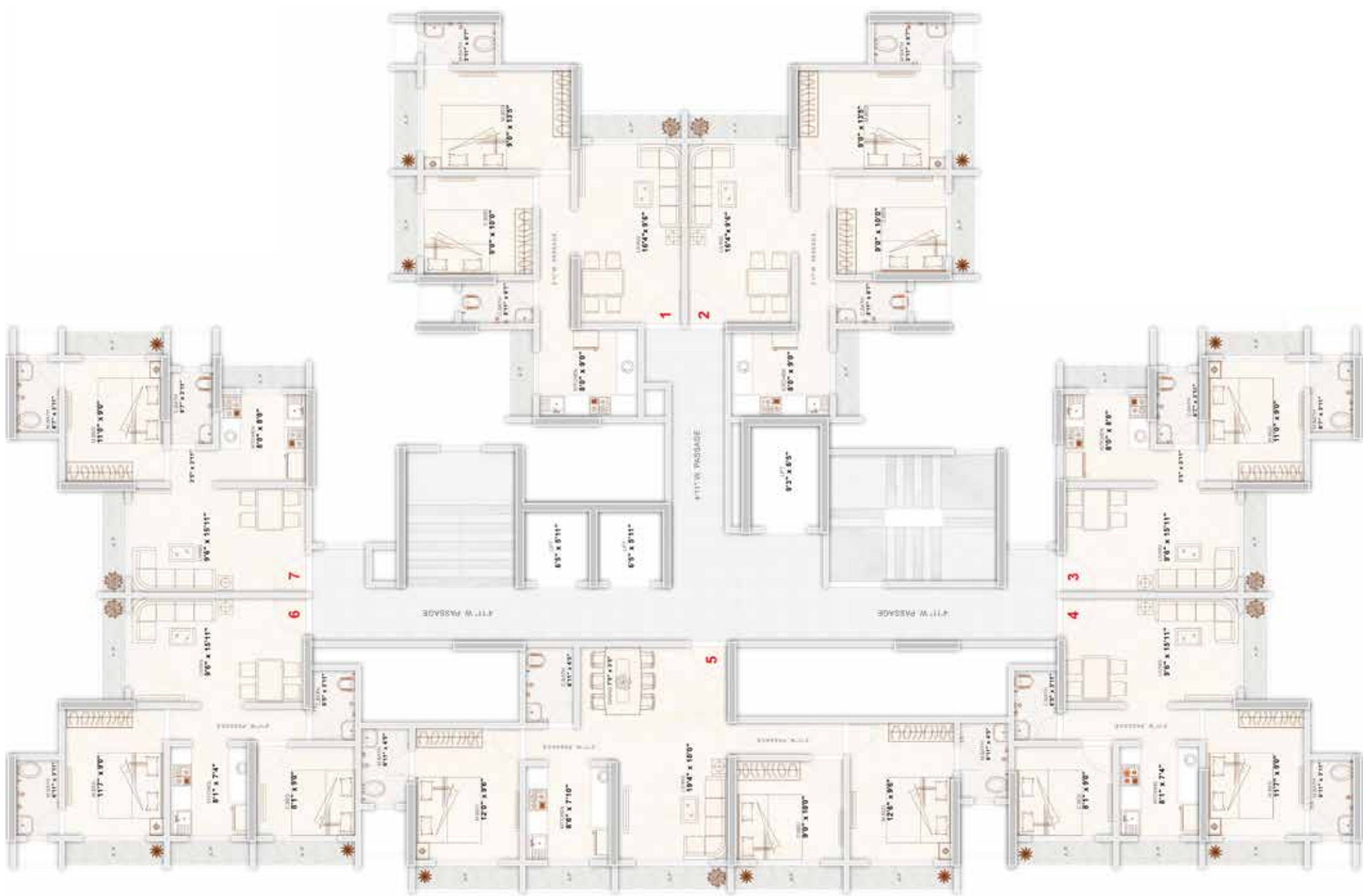
A - WING 17TH FLOOR





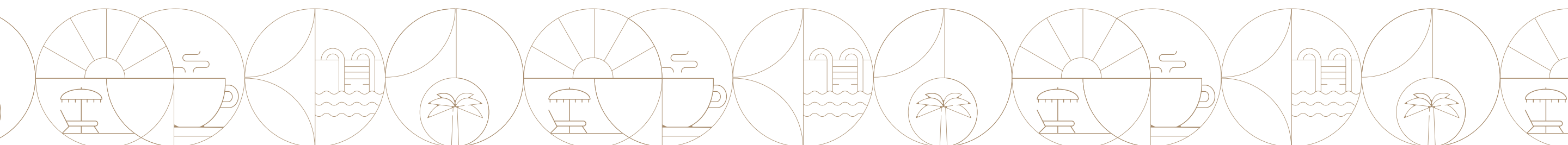
# IMPERIAL INDRAPURAM

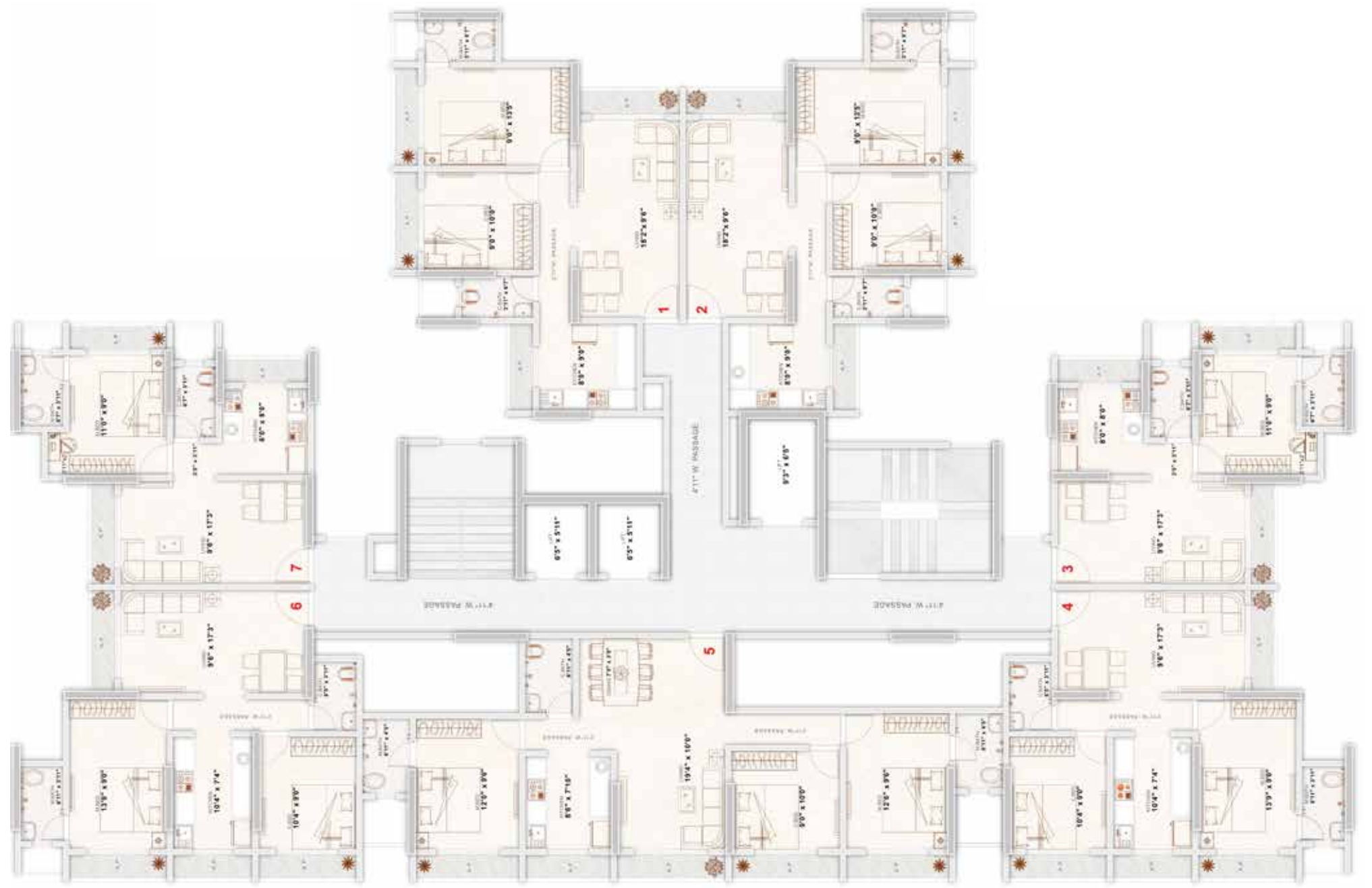
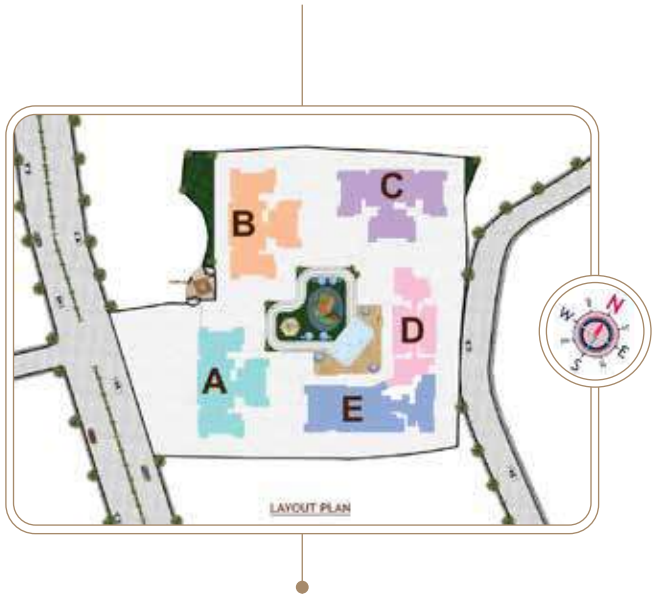
B - WING 2ND FLOOR



# IMPERIAL INDRAPURAM

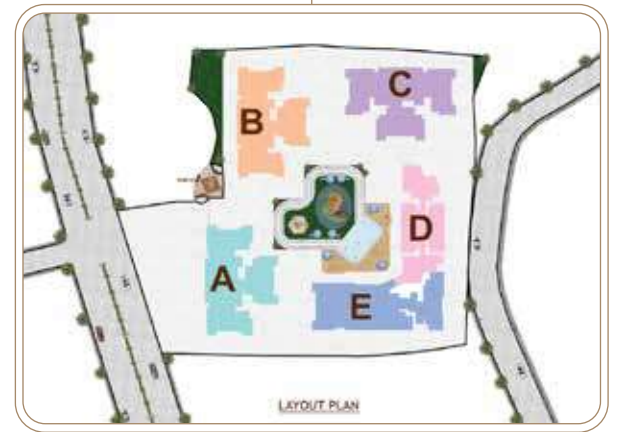
B - WING 3RD TO 9TH FLOOR (REFUGE - 603)





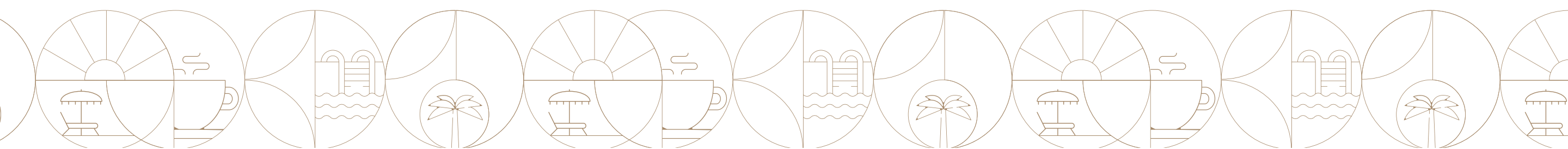
# IMPERIAL INDRAPURAM

**B - WING 18TH & 19TH FLOOR**



# IMPERIAL INDRAPURAM

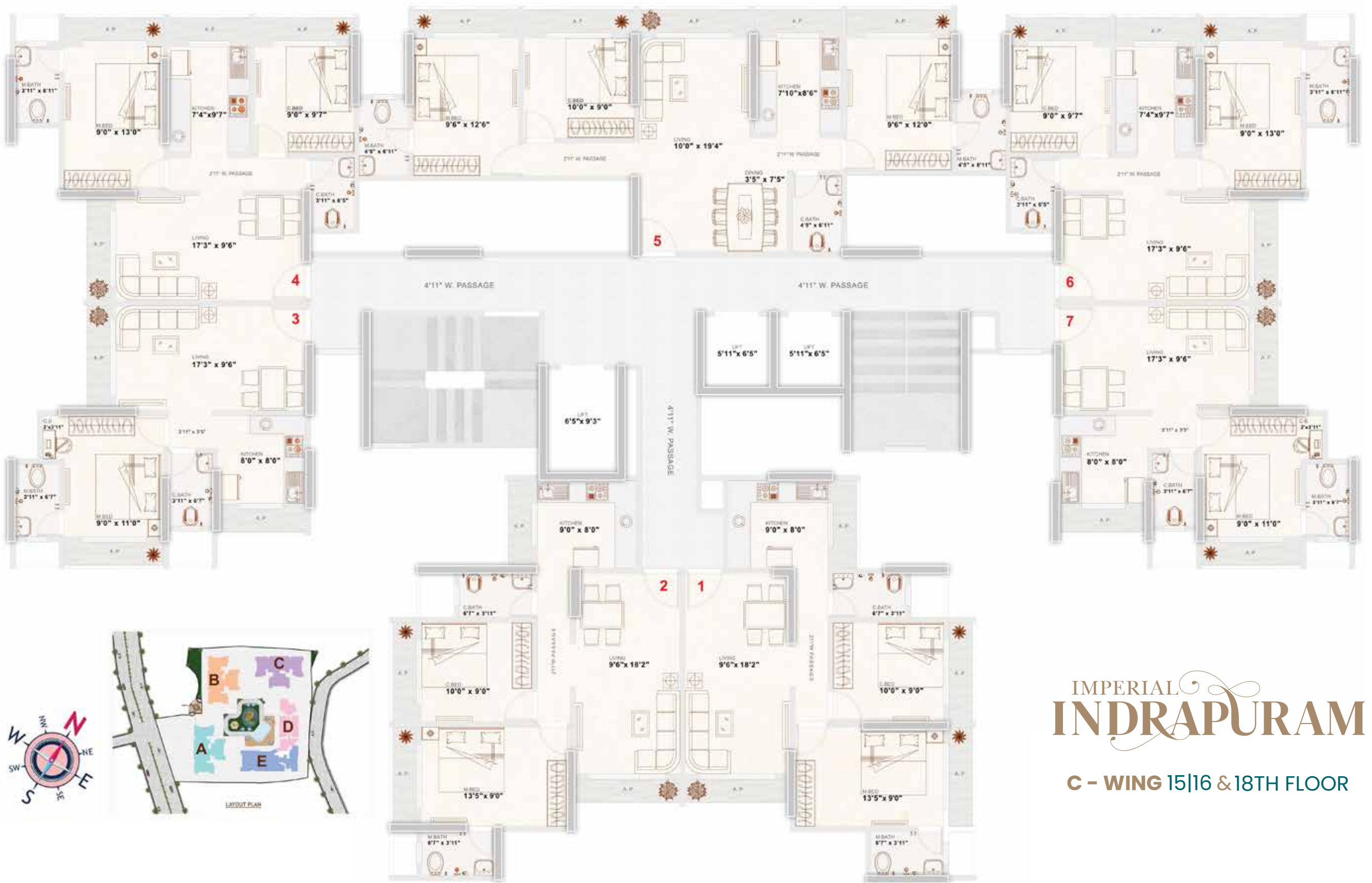
**C - WING 2ND FLOOR**





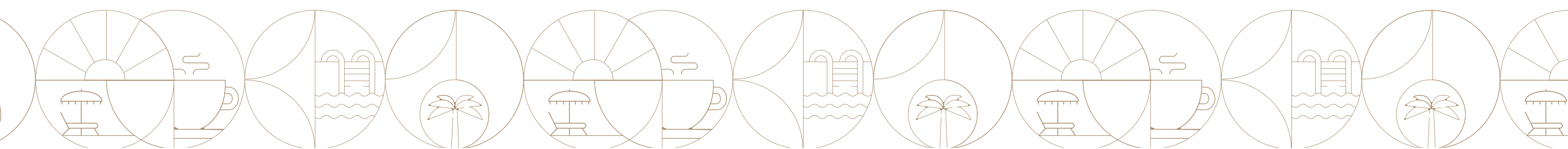
# IMPERIAL INDRAPURAM

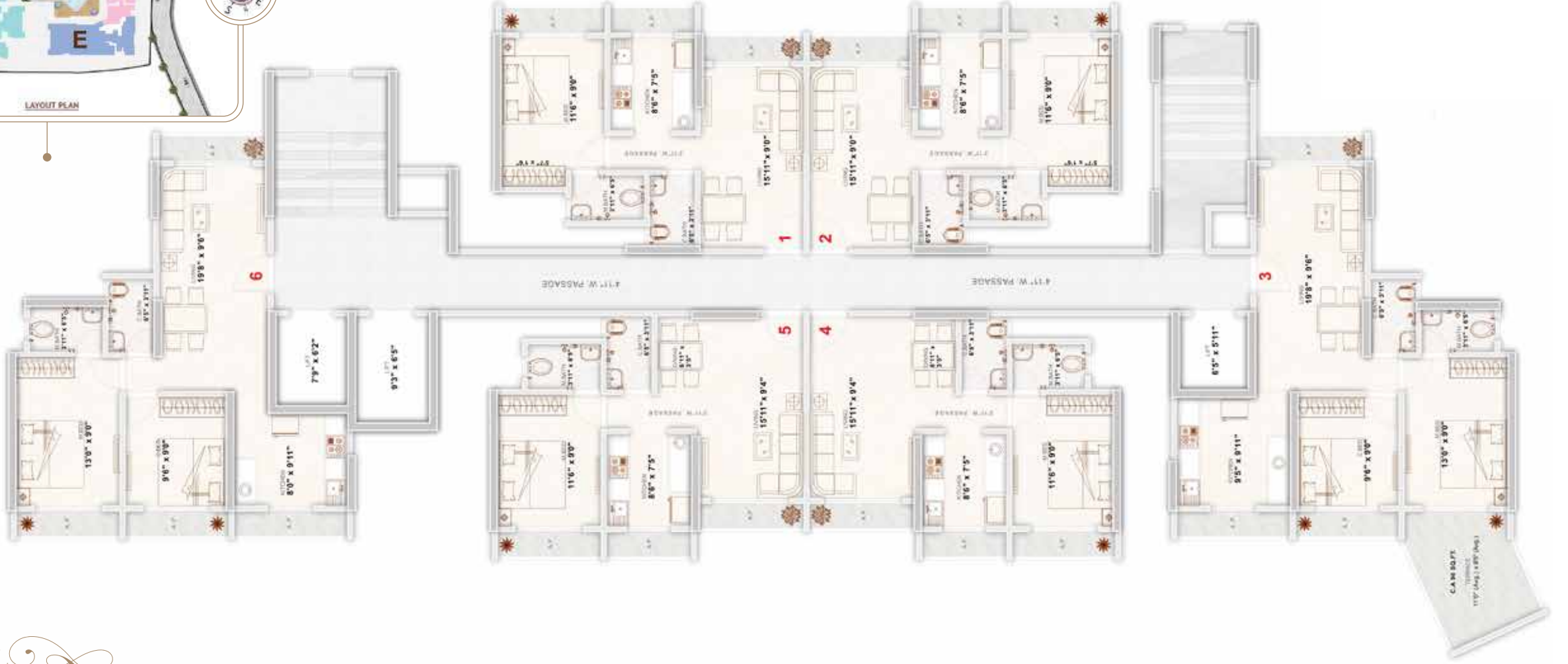
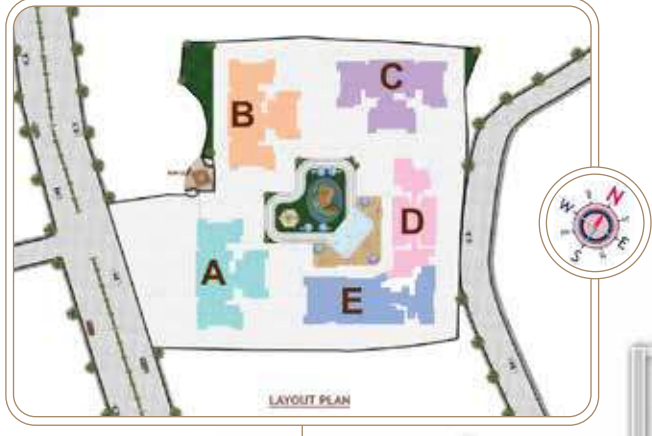
C - WING 3RD to 8TH FLOOR



# IMPERIAL INDRAPURAM

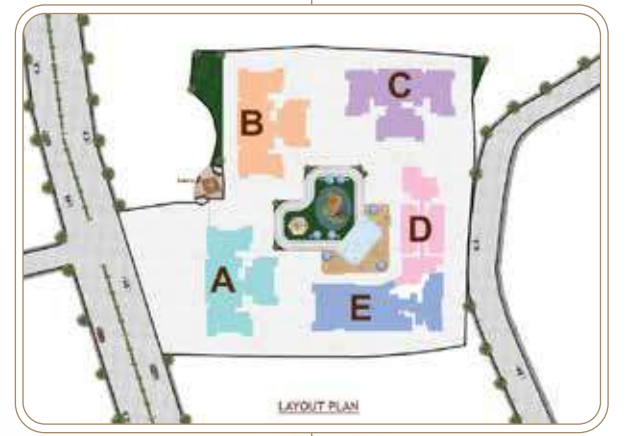
C - WING 15|16 & 18TH FLOOR





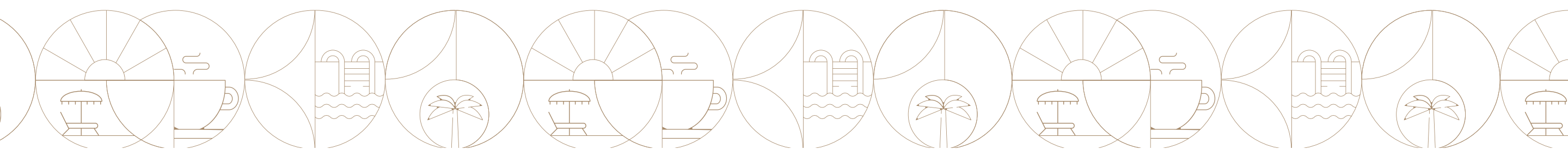
# IMPERIAL INDRAPURAM

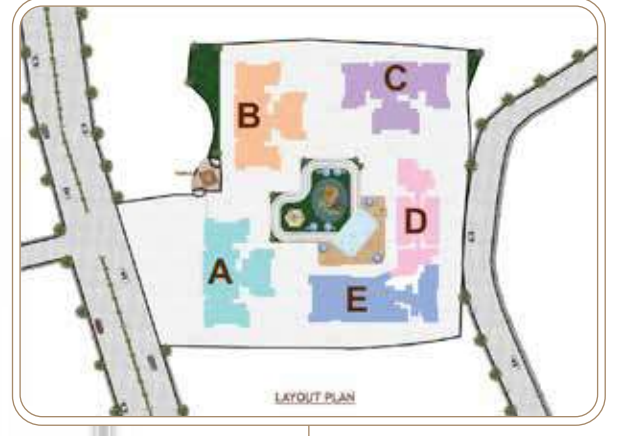
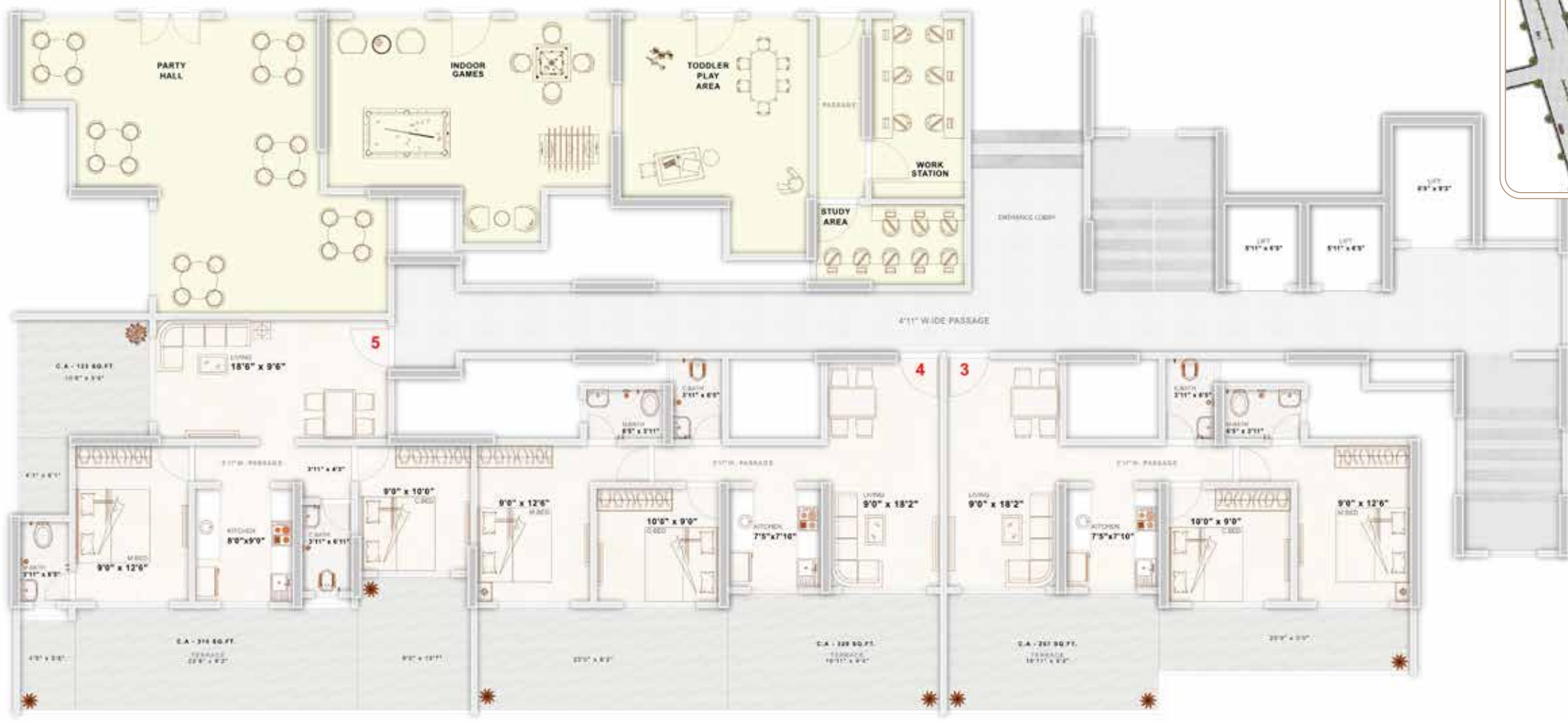
D - WING 5TH | 8TH | 11TH FLOOR



# IMPERIAL INDRAPURAM

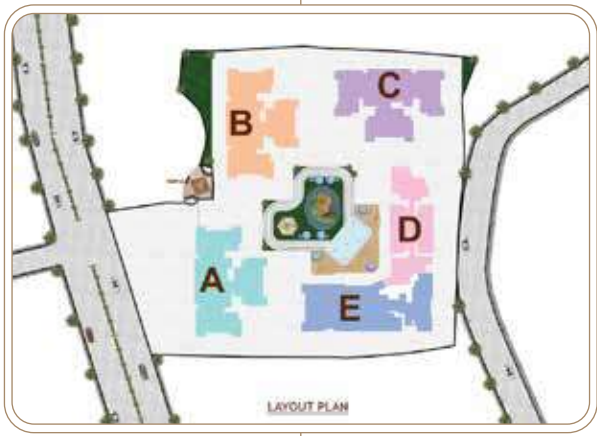
D - WING 6 | 7 | 9 | 10 | 12 | 13 | 15 | 16 | 18 | 19TH FLOOR (REFUGE - 901 | 1901)





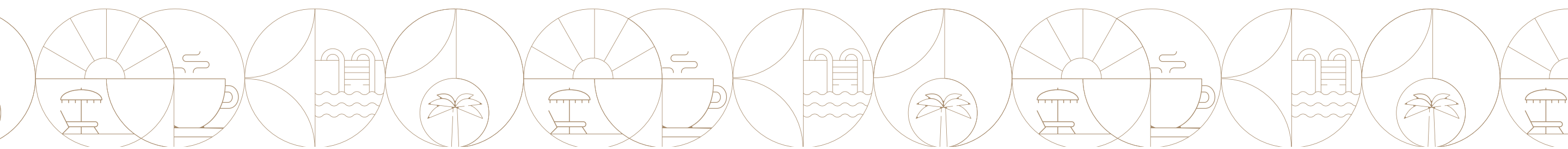
IMPERIAL  
**INDRAPURAM**

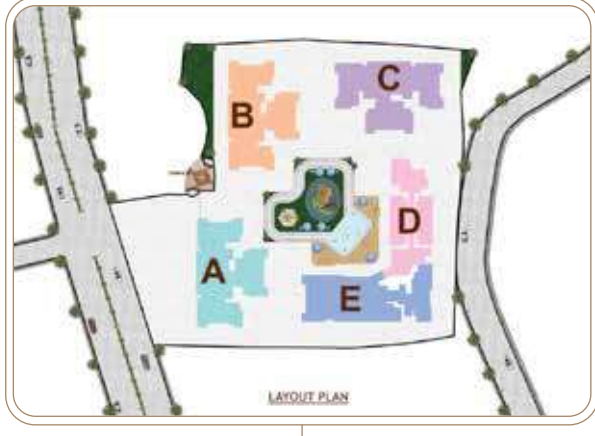
E - WING 2ND FLOOR



IMPERIAL  
**INDRAPURAM**

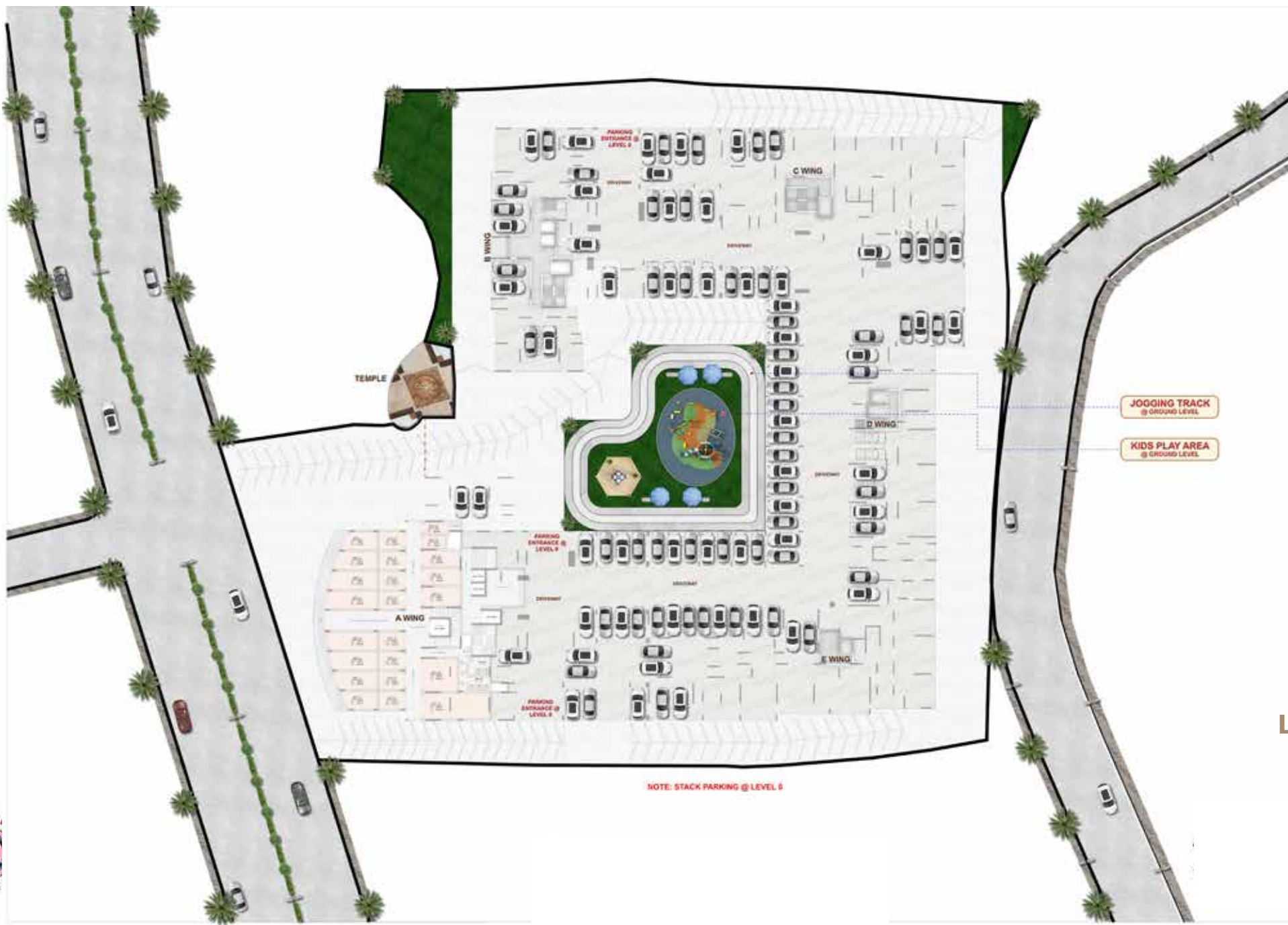
E - WING 5TH | 8TH | 11TH FLOOR





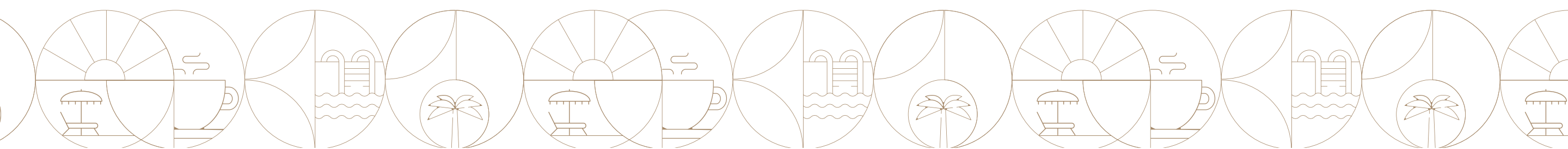
# IMPERIAL INDRAPURAM

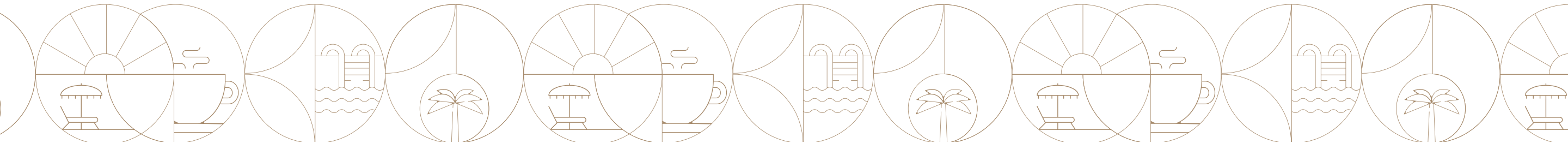
E - WING 6 | 7 | 9 | 10 | 12TH FLOOR (REFUGE 902)



# IMPERIAL INDRAPURAM

LAYOUT PLAN GROUND FLOOR







# IMPERIAL LIFESTYLE

*Where your family is our family!*

**SITE ADDRESS:**

Opp. Gausia Masjid, Evershine City, Vasai East - 401208.

**For Sale Enquiry Call: 9699552200**

**CORPORATE OFFICE:**

1st Floor, Shivshruti Complex, Opp. Dubey Medical College, Nallasopara (E) - 401 209.  
Mob.: 8055566717

Liasoning Architect  
**Megha Urbanscapes**

Elevation Architect  
**Priyanka Arjun & Associates**

MEP Consultant  
**Design Square**



**RERA: A WING**  
P99000077779



**RERA: B & C WING**  
PR1240002502254



**RERA: D & E WING**  
PR1240002502458



**SCAN QR FOR LOCATION**

98232 23333

All the plans & pictures used are rendered according to the artist's perception. Terms & conditions apply\*.

'By calling on the above number or by inquiring about the above project, you give consent to our company and its partners/vendors/ sub-partners to send alerts, contact details, promotional SMS and promotional calls to the mobile number registered with us, irrespective of whether the same is on DNC list or any other such database.

[www.imperiallifestyle.in](http://www.imperiallifestyle.in)

Follow us on:

